



EN

Installation, operation and maintenance manual for duct heaters (HVAC)
For installation in hazardous areas

DE

Installations-, Betriebs- und Wartungshandbuch für Heizlüfter (HVAC)
Für Installation im gefährdeten Bereich

EFFX, EFRX, EFIX

All rights reserved. Reproduction or issue to third parties of this manual or part of it in any form is not permitted without prior written authorisation of the proprietor.

Alle Rechte vorbehalten. Die Weitergabe sowie Vervielfältigung in jeglicher Art und Form - auch auszugsweise - des Inhaltes dieses Handbuches ist ohne die vorherige schriftliche Genehmigung durch den Eigentümer nicht zulässig.

ENGLISH



Safety information	3
Disclaimer	4
List of abbreviations	5
1.0 Introduction.....	6
2.0 Description of product	6
3.0 Packing	8
3.1 Choice of the Packing Type.....	8
3.2 Wood treatment.....	8
3.3 Pallets.....	8
3.4 Handling	8
3.5 Centre of gravity	8
3.6 Labelling and tagging of equipment / Identification	8
3.7 Shipping marks / labelling	9
4.0 Transportation	10
4.1 HVAC	10
5.0 Storage and preservation	12
5.1 Preservation during the transportation and pre-installation period	12
5.2 Preservation during the installation/construction period	12
5.3 Suggestion for preservation specification & record:	14
6.0 Installation instructions	16
6.1 General	16
6.2 Special conditions for safe use.....	16
6.3 Heater Installation	16
6.4 Adjusting Thermal couple / RTD, TSH thermal switch with auto reset	17
6.5 Adjusting TSHH thermal cut-off (Thermal couple / RTD).....	17
6.6 Test procedure TSH/TSHH thermal cut-off.....	17
7.0 Start up.....	18
7.1 Before energizing the heating elements	18
7.2 Shutting down the heater.....	18
8.0 Operating instructions	19
9.0 Maintenance instructions.....	20
9.1 Maintenance and service plan.....	21
10.0 Trouble shooting.....	22
11.0 Disposal instructions	23

DEUTSCH

Sicherheitshinweis.....	24
Haftungsausschluss	25
Liste der Abkürzungen	26
1.0 Einleitung	27
2.0 Beschreibung des Produktes.....	28
3.0 Verpackung	30
3.1 Wahl der Verpackungsart.....	30
3.2 Holzbehandlung	30
3.3 Paletten	30
3.4 Handhabung	30
3.5 Schwerpunkt	30
3.6 Etikettierung und Markierung der Geräte / Identifizierung	31
3.7 Versandmarkierungen/ Etikettierung	31
4.0 Transport.....	32
4.1 HVAC	32
5.0 Lagerung und Konservierung	34
5.1 Konservierung während des Transports und vor der Installation.....	34
5.2 Konservierung während der Installations-/ Bauphase	35
5.3 Vorschlag für Spezifikation und Dokumentation der Konservierung:.....	36
6.0 Montageanleitung.....	38
6.1 Allgemeines.....	38
6.2 Besondere Bedingungen für den sicheren Einsatz.....	38
6.3 Montage des Kanallufterhitzers	38
6.4 Einstellung des Temperaturbegrenzers (falls vorhanden) mit Auto-Reset	39
6.5 Einstellung TSHH Temperaturschalters (Thermoelement/ PT100)	39
7.0 Inbetriebnahme	40
7.1 Vor Einschalten des Kanallufterhitzers	40
7.2 Abschalten des Kanallufterhitzers	40
8.0 Betriebsanweisungen	41
9.0 Wartung.....	42
9.1 Wartungs- und Serviceplan	43
10.0 Trouble shooting.....	44
11.0 Entsorgungsanweisungen	45

Safety information

To secure your personal safety, as well as prevent damages to property, this manual contains notices you have to observe. The notices refer to your personal safety.


	DANGER	Indicates that death or severe personal injury will result if proper precautions are not taken
	WARNING	With a safety alert symbol, indicates that minor personal injury can result if proper precautions are not taken
	CAUTION	Without a safety alert symbol, indicates that property damage can result if proper precautions are not taken
	NOTICE	Indicates that an unintended result or situation can occur if the corresponding information is not considered

If more than one degree of danger is present, the warning notice representing the highest degree of danger will be used. A notice warning of injury to persons with a safety symbol may also include a warning relating to property damage.

Qualified Personnel

Only personnel qualified for the specific task in accordance with the relevant documentation for the specific task, in particular its warning notices and safety instructions may operate the product described in this documentation. Qualified personnel are those who, based on their training and experience, can identify risks and avoiding potential hazards when working with these products/systems.

Proper use of JEVI products

	WARNING	Proper transport, storage, installation, assembly, commissioning, operation and maintenance is required to ensure that the product operates safely and without any problems. The permissible ambient conditions must be adhered too. Observe the information in the relevant documentation.
---	----------------	---

Disclaimer

JEVI A/S assumes no responsibility for any additions placed by the customer that can inflict our product. Additions or alterations implemented by the customer are not covered by our warranty.

IMPORTANT: These instructions should be read thoroughly before installation and operation. All warnings and precautions should be observed for both personal safety and for proper equipment performance and longevity. Failure to follow these instructions could result in equipment failure and/or serious injury to personnel.

NB! THIS IOM IS A STANDARD DOCUMENT AND IS NOT PROJECT SPECIFIC.

The English IOM is JEVI's standard version.

List of abbreviations

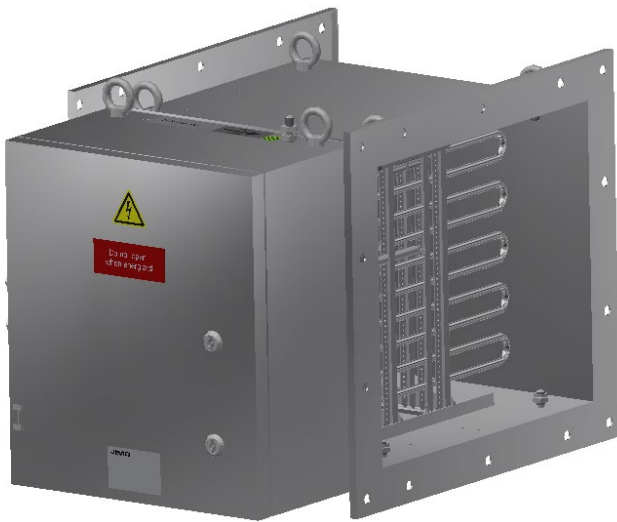
ACBR	Air Cooled Braking Resistor
CoG	Centre of Gravity
EF	Electrical Duct heater
GA	General Arrangement (Drawing)
HVAC	Heating, ventilation, Air Conditioning
IOM	Installation, Operating and Maintenance Manual
JB	Junction Box
VLE	Fan heater with integrated controls for temperature control
VLEx	Fan heater for hazardous areas
WCBR	Water Cooled Braking Resistor
TSH	Temperature Switch High
TSHH	Temperature Switch High High

1.0 Introduction

This manual is valid for varied models of HVAC designed for explosive areas.

The purpose of this document is to introduce a reader to installation, operation, and maintenance procedure and most importantly to general safety precautions, which are not necessarily related to any specific part or procedure, and do not necessarily appear elsewhere in the publication. These precautions must be thoroughly understood and applied to in all phases of operation and maintenance.

Descriptions in this manual are generic and not project specific. Pictures may show other equipment and options than in the actual project.



2.0 Description of product

The duct heater is designed to heat air.

Reference should be made to the general drawing of this item for the intended use:

Drawing no. : Refer to equipment drawing GA
Electric supply : See electrical diagram
Voltage : See electrical diagram
Ref. number : Same as order number and item number

The heater consists of an enclosure (IP rating according to GA and/or datasheet) containing:

- Certified electric heating elements (Ex e II) max load of 1.3 W/cm².
- A protective device with manual reset (TSHH) Ex de IIC Gb.
- Optional, protective device with auto reset (TSH) Ex de IIC Gb
- Alternative protective device, TSHH, thermocouple sensor type K connected to certified transmitter, Ex ia IIC T4...T6 Ga end user applies barrier, reset must be done by hand.
- Temperature sensors are placed at the highest temperature areas of the heating bundle.

In case of no airflow the TSHH will cut off the heater.

Optionally the certified equipment mentioned below may be fitted into the junction box.

- A certified Ex ia IIC T4 temperature transmitter.
- A certified Ex d IIC T5 anti-condensation heater.
- A certified Ex de IIC T6 or Ex d IIC T6 or Ex e IIC T6 control device.

Marking hazardous area certification:

- ATEX: II 2G Ex e IIC T3 Gb
 - II 2G Ex e [ia] IIC T3 Gb
- IECEX: Ex e IIC T3 Gb
Ex e [ia] IIC T3 Gb

Standards:

- ATEX: EN 60079-0
 - EN 60079-7
 - EN 60079-11
 - EN 60079-14
- IECEX: IEC 60079-0
IEC 60079-7
IEC 60079-11
IEC 60079-14
- IECEX group and category: Ex II 2 G
 - Certificate number: IECEX TUN 13.0036X
 - ATEX group and category: Ex II 2 G
 - Certificate number: TÜV 13 ATEX 131672X

3.0 Packing

All packing is done in accordance with the specific requirements of the individual purchase order or contract as well as to the regulations of the country of destination.

3.1 Choice of the Packing Type

The choice of the packing type and the requirement of particular protections depend on characteristics of the equipment and material to be packed, its handling requirements and kind of transport chosen.

The packing provides both mechanical and environmental protection.

3.2 Wood treatment

All solid wood, used for packing (including wooden pallets) is treated (heat treatment or fumigation) according to the international standard ISPM 15 (IPPC), latest revision.

As these rules are not the same for all countries, the procedure must meet the demands of a country of final destination.

3.3 Pallets

Equipment is packed on pallets that provide adequate load support during transportation and storage. The pallets have a dynamic load capacity, enough to carry the mass loaded on the pallet.

Where feasible the top surface of the pallet must be flat.

The pallet must be tight on all sides with steel or synthetic straps on each side.

Bolts, clamps, supporting beams, etc. will properly fix all equipment and materials.

Fragile, easily damageable, and loose parts will be pertaining to the equipment securely and properly packed in a separate case.

3.4 Handling

Under no circumstances may the equipment itself be used as a platform for gaining access to installation and construction areas above. If such access is required, suitable scaffolding must be established. The equipment may not be used as a support.

3.5 Centre of gravity

If required, large and heavy equipment are marked with Centre of Gravity (COG).

3.6 Labelling and tagging of equipment / Identification

If no specific identification is required, (see the Purchase Order for the technical specifications) the labeling is in accordance with JEVI standard.

On demand the identification label is in accordance with the final packing list/delivery note.

3.7 Shipping marks / labelling

All packages are marked or labelled in accordance with the data shown in the packing list/delivery note.

4.0 Transportation

The product is packed according to agreement, with indication of CoG if required by customer.

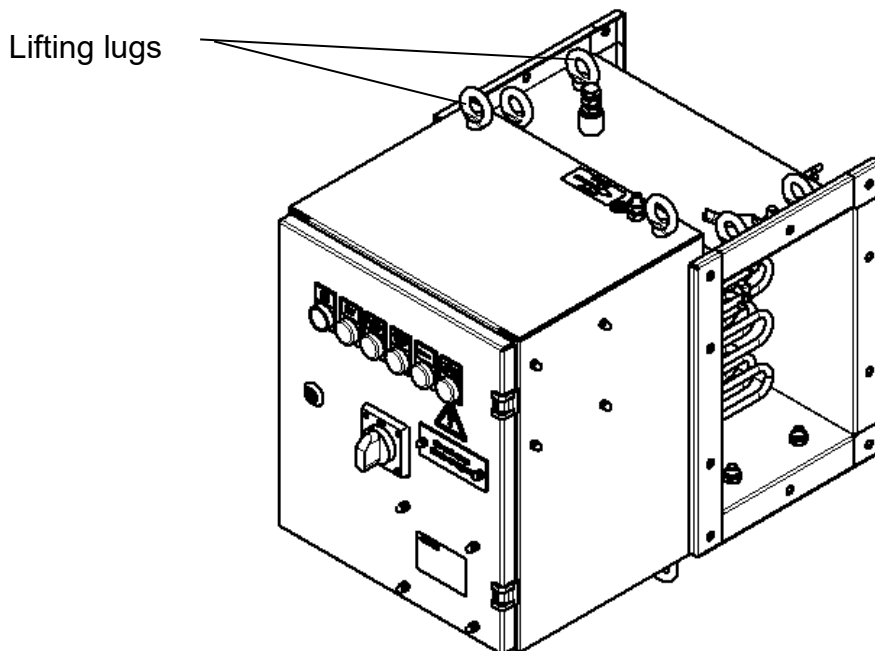
The product is packed on pallets. The packing is easily moved either by forklift or by use of crane, handled by authorised personnel.

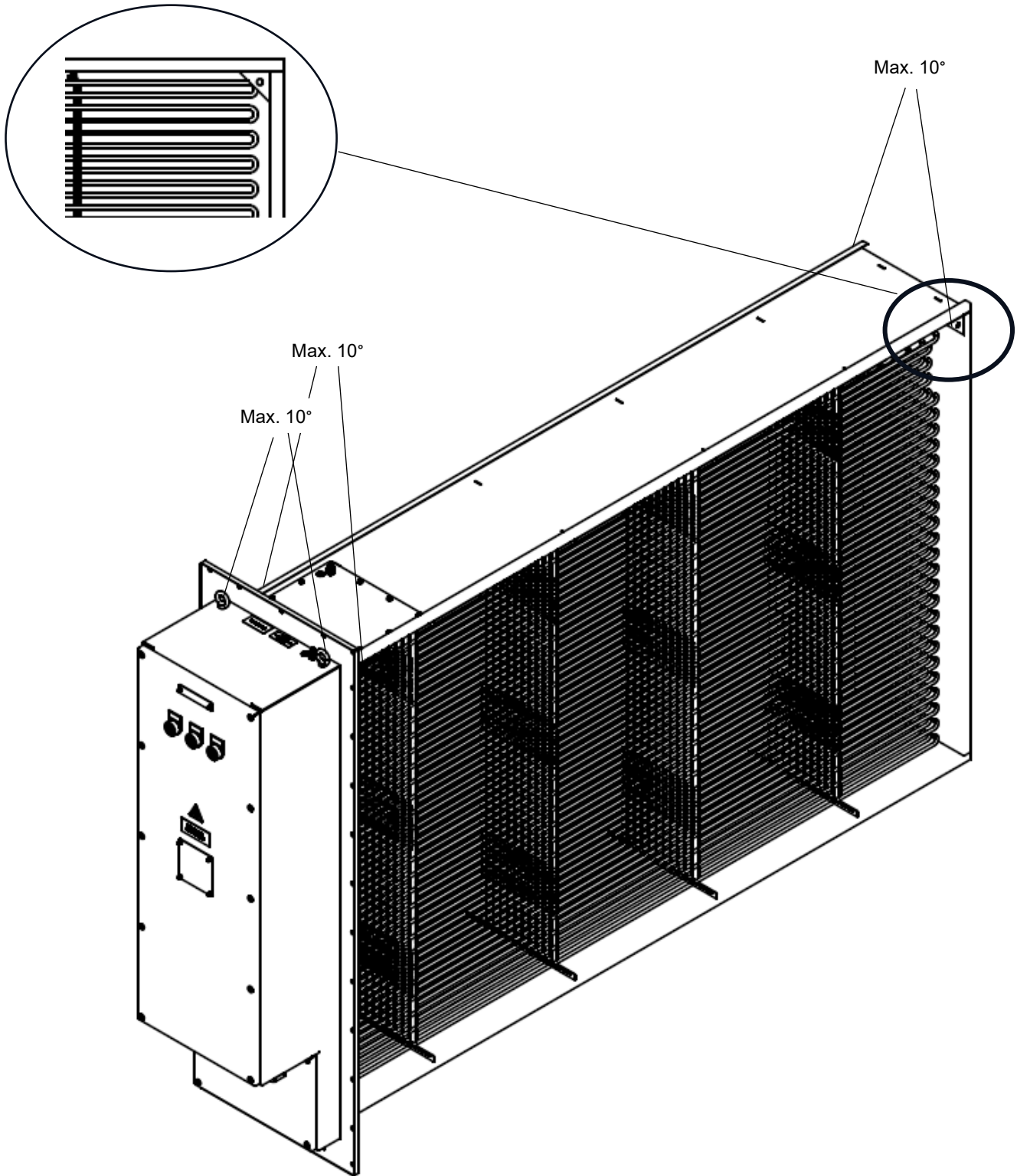
- For lifting lugs, see GA
- For weight, see GA or rating plate
- For COG - if any, see GA

CAUTION	Heating elements must <u>NOT</u> be used for lifting, as this would cause damage on the elements.
	When lifting the unit always use lifting lugs and lifting straps.

4.1 HVAC

All Heaters and inserts weighing > 25kg are supplied with lifting devices.





5.0 Storage and preservation

The purpose of this chapter is to specify how to handle and preserve a product from the day of shipment until the equipment is installed and commissioned.

The following conditions shall be observed during the installation/construction period.

CAUTION	During storage, prior to installation the unit must be stored dry with a relative humidity <60 %, temperature >15°C.
CAUTION	Replace desiccant bag in junction boxes and enclosures (if any) every 6 months. Keep a log of the replacements as documentation.
CAUTION	The Anti condensation heater, if any, must be powered up and always connected.

5.1 Preservation during the transportation and pre-installation period

The packaging provides both mechanical and environmental protection. If the equipment is intended for service in an outdoor environment, to avoid any risk of harmful metallic dust during storage it is protected with enveloping plastic foil.

All openings such as cable entry holes are adequately sealed.

Packages must not be opened, or their integrity will be disturbed during the transport. Packing may only be opened when the equipment has been taken from storage and has been transported to its intended location of installation, or to connect the anti-condensation heater, after which the packing must be resealed. Storage preservation measures are immediately invalidated as soon as the packaging is disturbed.

Packages should be inspected on receipt at the storage warehouse and at regular monthly intervals during the storage period regarding external damages. Any visible damage that may have a consequence to the condition of the contents or integrity of the preservation must be immediately documented and reported. In case of such an event, the supplier must be contacted immediately for advice.

5.2 Preservation during the installation/construction period

The product must be unpacked only when the equipment is to be installed, or to connect the anti-condensation heater. It is recommended to maintain the integrity of the packaging during transport from the storage warehouse to the installation site.

Inspect the equipment within each package for damage and condition as soon as the package is opened. Report and document any damage immediately. In case of such an event, the supplier must be contacted immediately for advice.

Installation and handling of the equipment once unpacked must be performed in accordance with the relevant elements of the documentation for the equipment delivered.

Damage caused by bad workmanship or failure to adhere to the installation instructions is not covered by the equipment warranty.

If the equipment is installed in an area where ongoing construction work of a nature that causes airborne pollution or other adverse conditions take place, the equipment must be suitably protected. Under no circumstances can the equipment be placed in the vicinity of any activity, which involves grinding, welding, painting, fireproofing, spraying, etc. without taking necessary precautions to protect it.

When cable termination is completed, a fresh desiccant bag must be placed in the enclosure. The desiccant bag must be replaced every 6 month or until commissioning, has been initiated.

All openings such as cable entry holes must be adequately sealed until the interfacing cables or pipes are installed.

During installation, always keep the equipment in a clean condition. Remove debris from cable installation activities at once. Take precautions to avoid any small pieces of a conductive nature from being left in the termination enclosures.

Under no circumstances may the equipment itself be used as a platform for gaining access to installation and construction areas above. If such access is required then suitable scaffolding must be established, the equipment may not be used as a support.

During installation the equipment must be thoroughly inspected at regular weekly intervals with regards to external damages, cleanliness and internal condition. Report and document immediately if any visible damage or adverse condition occurs. In case of such an event, the supplier must be contacted immediately for advice.

On completion of the installation work the condition of the equipment must be inspected. Report and document any damage immediately if any visible damage. In case of such an event, the supplier must be contacted immediately for advice.

CAUTION	It is extremely important that no debris enters the unit as this may lead to damage to the equipment.
----------------	---

5.3 Suggestion for preservation specification and record:

PRESERVATION SPECIFICATION & RECORD								
Record No.:		Tag No.:	Description:				Record page 1 of 1	
Activity No.:	Intervals (Months)	Description of Preservation Activity	Recommended Preservative	Initial Preservation	Date/Sign Preserved (2)	Date/Sign Preserved (3)	Date/Sign Preserved (4)	Date/Sign Preserved (5)
1	1	Check that protection structure is undamaged.						
2	6	The desiccant bag inside the Junction boxes replaced.						
3	1	Check the storage conditions. Relative humidity < = 60 %, temp. > = 15°C						
4	12	If stored for more than one year from packing date, then the supplier must be contacted for advice regarding renewal of the desiccant bag.						
5	12	Check the paint-work.						
6	12	Check that there are no visual damages to the equipment.						
7	12	Verify that the general condition of the equipment is satisfactory.						
8	12	All openings such as cable entry holes are adequately sealed. Junction Boxes as well.						
9	12	All loose items/removed parts preserved, stored and marked.						
10	6	Verify no water leakages, condensation or moisture where applicable.						
11	6	The Anti-condensation heater in the equipment must be powered up and connected at all times.						
Comments:								
Performed by: Date/Sign:			Accepted by: Date/Sign:					

Note: *These procedures are considered normal maintenance and are performed at the owner's expense.*

* Depending on the environment, inspection frequency can vary.

6.0 Installation instructions

6.1 General

The user must ensure that his employees are fully trained and supervised in the proper working procedures to ensure their safety. The plant must be maintained in a safe condition.

Ensure that the equipment is correctly installed in a suitable location by technically qualified personnel. Installation must meet the requirements of EN/IEC 60079-0, EN/IEC 60079-7, EN/IEC 60079-14 or equal valid standards.

6.2 Special conditions for safe use

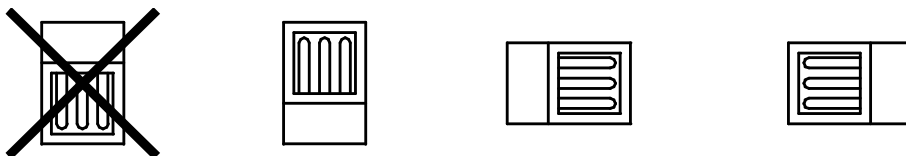
- Only suitable certified cable glands may be used.
- Heating elements may be rated up to 1,3 W/cm².
- Safety device TSHH must be permanently set at max 130°C in order to maintain T3.
- Titanium heating elements may be used only when protected against impact.
- Ambient temperatures are: -25°C to +75°C.
- End-user must ensure compliance between intrinsically safe parameters.

6.3 Heater Installation

Before unpacking the equipment ensure that all items are available and that all crates / or packages are in good condition and undamaged. Any damages must be reported to the site manager and subsequently to JEVI A/S.


After removing the packing material, check all items for damage. If any damages: report this to the site manager and subsequently to JEVI A/S.

For installation mounting and sealing materials must be used which are suitable for the medium to be heated and the prevailing temperatures that will occur. Please refer to the GA-drawing for precise data and indications of fitting positions.



1. Open the junction box.
2. Connect the electric power cables to the terminals or bus bar system as indicated on the electrical diagram and connect the earthing provisions on the mounting plate.
3. Connect the protective conductor to the earthing terminal.
4. Follow the instructions provided by the supplier of the cable glands if these are present and/or applicable.

5. Close the cover.
6. Ensure that the airflow is linear.

 WARNING	Do not open the junction box when energized.
NOTICE	<ul style="list-style-type: none">• During non-operation the unit must be stored dry. Relative humidity <60%, temperature >15°C.• If applicable connect and switch on the space heater.• When dismantled it is advisable to place a desiccant bag inside the junction box.

6.4 Adjusting Thermal couple / RTD, TSH thermal switch with auto reset

The TSH is adjusted to 80% of maximum.

If an adjustment is needed, load the heater with maximum power and the lowest airflow according to specification.

1. Set the TSH on maximum temperature.
2. Wait until airflow and temperature is constant.
3. Adjust the temperature scale down on the TSH step by step with app 10°C at the time; wait to see if TSH switches off for 10 min. adjust again 10°C continue this procedure until TSH cuts off the heater.
4. Adjust the TSH scale up with 10°C
5. Test the heater with full load and switch off airflow. TSH must switch off before maximum allowed temperature for heater is reached. The mechanical TSHH is nonadjustable.

6.5 Adjusting TSHH thermal cut-off (Thermal couple / RTD)

Adjusting TSHH thermal cut-off (Thermal couple / RTD) has been done by JEVI if the transmitter is mounted in the heater.

The max temperature must be set according to the wiring diagram, and the IOM for the transmitter.

This TSHH thermal cut-off (Thermal couple / RTD) must be with manual reset.

6.6 Test procedure TSH/TSHH thermal cut-off

TSH/TSHH are subject to factory test at JEVI.

In case an additional test of the TSH/TSHH thermal cut-off is required in connection with the commissioning process, the following procedure is recommended:

1. Insert a temperature sensor close to the TSH/TSHH for control of temperature.
2. Warm up the sensors to the set temperature by using a heat gun.

7.0 Start up

Remove desiccant bag from the junction box before starting up.

Before the initial start-up of the heater the following must be checked:

1. The heater is correctly installed as described in the GA drawing and if necessary, an air leakage test has been performed.
2. The protective conductor (PE) has been connected and, if necessary, the external connection between housing and ground has been effected, e.g., for avoiding electrostatic discharging.
3. The earthing connection has been effected and properly secured.
4. The electrical connections have been performed in accordance with the relevant regulations and wiring diagram.
5. The heater has been properly installed and all studs and nuts are properly tightened.
6. All electrical connections between control panel and heater are correctly installed e.g., power cable, temperature transmitter.

7.1 Before energizing the heating elements:

1. Check the supply voltage.
Check the control voltage.
Voltages are specified on the wiring diagrams of this equipment.
2. Check whether the monitoring system has been actuated e.g., 'Overheat Protection'.
(Thermostat, thermocouple sensor fixed to an element sheath).

7.2 Shutting down the heater.

De-energize the heater before shutting down the flow.

8.0 Operating instructions

Before initial start-up of the heater, it should be checked whether:

1. The heater is properly installed and, if necessary, a leakage test must be conducted.
2. The electrical connection is performed in accordance with the relevant rules and regulations.
3. The protective conductor (PE) has been connected and, if necessary, the external earth connection between housing and ground has been effected, e.g. for avoiding electrostatic discharge.
4. Monitoring systems have been actuated e.g., "Flow Monitoring" and "Overheat Protection".
5. The medium to be heated, is in accordance with the heater design.

At the cable entries temperatures exceeding 70°C are not admissible.
The minimum temperature rating for all incoming cables is 70°C.


NOTICE	Before switching the heater on, check that the rated process flow is running. The construction materials used are chosen in accordance with the operating conditions specified. Should the heater be operated with other media or temperatures than those specified, warranty expires immediately.
--------	--

9.0 Maintenance instructions

The one-year service interval only applies if the heater is installed in a dry and clean environment. If installed in an environment, which does not meet these requirements, the service intervals might have to be reduced.

The responsible for the maintenance must ensure that his employees are fully trained and supervised in the proper working procedures to ensure their safety.

1. Check the ceramic insulators on the elements for damage.
2. Check the insulation resistance of the heating elements.
Connect the Megger to an earth bolt and one of the phases U1, V1 or W1. If the measured value is less than 2 MΩ, each heating element will have to be checked separately. Minimum value is 10 MΩ at 1000 V.

<p style="text-align: center;">NOTICE</p>	<p>If the insulation resistance has changed as a result of improper or prolonged storage, it is recommended:</p> <ul style="list-style-type: none">a) To open the junction box in a dry area and let the element-connections dry-out using a hot air blower. (Note: air < 80°C).b) Run the heater at a lower voltage until all moisture is evaporated and the insulation resistance has reached its desired value.
<p style="text-align: center;"> WARNING</p>	<p>Handling of the equipment must meet the requirements of DS/EN 50110-1:2013 (electrical safety).</p>

*The ex-certificate - together with the IOM - is documentation.

Before any repair job of an ATEX and/or IECEx marked and certified item is carried out, the manufacturer must always be contacted to get correct instruction or approval to carry out the job.

If this is not complied with, the certification will be void.

9.1 Maintenance and service plan

- Check or clean
- Spare/replacements parts

System	Item	Periodic maintenance interval			
		Weekly (first 4 weeks)	Every 6 months	Every 12 months	Every 36 months
Whole	Visual inspection of the exterior	○			
	Tightening all major bolts and nuts	○			
	Change desiccant bag in the storage period		●		
	Cleaning interior and exterior with compressed air		○		
Electrical system	Measurement of Ohm values according to test record (max deviation 10%)			○	
	Checking the wiring connections			○	
	Measurement of voltage on condense heater			○	
	Measurement of insulation resistance <3 m Ohm at 1000 VDC			○	

Note: *These procedures are considered normal maintenance and are performed at the owner's expense.*

* Depending on the environment, inspection frequency can vary.

10.0 Trouble shooting

Disconnect all power sources prior to any inspection, service, or cleaning. Hazard for electric shock exists while the equipment is connected.

For maintenance requiring repair or replacement of components, contact the factory immediately for further instruction. Only the failures within the scope of normal maintenance are listed below. If a problem is not listed or it is not eliminated by listed corrective measures, immediately contact JEVI A/S for assistance.



Problem	Possible cause	Possible correction
Heater/Resistor failure	Loose bus bar Heater/Resistor element burned out	Tighten failed resistor bank. Disconnect element and use spare
Temperature switch trip	Heater/Resistor over temperature	Ensure air intake and exhaust are clear of foreign particles or blockage. Check fan operation.
Pressure differential trip	Loose connections. Intake obstruction	Check all connections. Remove and clean.

11.0 Disposal instructions

Equipment containing electrical components shall not be disposed of together with domestic waste. Collect separately with other electrical and electronic waste, according to local legislation.

Sicherheitshinweis

Das vorliegende Handbuch enthält Hinweise, die Sie befolgen müssen, um Ihre persönliche Sicherheit zu garantieren und um Schaden an Eigentum (Sachschäden) zu verhindern.


 GEFAHR	Bedeutet, dass Tod oder schwere Körpervletzung eintreten, wenn die entsprechenden Vorsichtsmaßnahmen nicht getroffen werden.
 WARNHINWEIS	Mit Warndreieck bedeutet, dass leichte Körpervletzungen eintreten können, wenn die entsprechenden Vorsichtsmaßnahmen nicht getroffen werden.
ACHTUNG	(Ohne Warndreieck) Bedeutet, dass Sachschaden eintreten kann, wenn die entsprechenden Vorsichtsmaßnahmen nicht getroffen werden.
HINWEIS	Bedeutet, dass unerwünschte Ergebnisse oder Zustände eintreten können, wenn der entsprechende Hinweis nicht beachtet wird

Sollte mehr als eine Gefahrenart vorhanden sein, so wird der Warnhinweis mit dem höchsten Gefahrengrad verwendet. Ein Hinweis mit Sicherheitssymbol bezüglich der Verletzungsgefahr für Personen kann auch eine Warnung bezüglich Sachschäden beinhalten.

Qualifiziertes Personal

Das in der vorliegenden Dokumentation beschriebene Produkt darf ausschließlich von Personen bedient werden, die entsprechend der relevanten Dokumentation für diese spezifische Aufgabe geschult sind, insbesondere im Hinblick auf die Warnhinweise und Sicherheitsanweisungen. Qualifiziertes Personal ist Personal, welches aufgrund seiner Ausbildung und seiner Erfahrung in der Lage ist, bei der Arbeit mit diesen Produkten/ Systemen Risiken zu identifizieren und potenzielle Gefahren zu vermeiden.

Korrektter Einsatz von JEVI-Produkten

 WARNHINWEIS	Sachgemäßer Transport sowie fachgerechte Lagerung, Aufstellung, Montage, Inbetriebnahme und Wartung sind erforderlich, um sicherzustellen, dass das Produkt sicher und problemlos arbeitet. Die zulässigen Umgebungsbedingungen und die Informationen in der relevanten Dokumentation müssen beachtet werden.
--	---

Haftungsausschluss

JEVI A/S übernimmt keine Verantwortung für vom Kunden platzierte Ergänzungen, die in irgendeiner Form einen Einfluss auf unser Produkt haben können. Vom Kunden vorgenommene Ergänzungen oder Änderungen sind nicht durch unsere Garantie abgedeckt.

WICHTIG: Diese Anweisungen müssen vor Installation und Betrieb gründlich gelesen werden. Alle Warnungen und Vorsichtsmaßnahmen sollten beachtet werden, um sowohl die persönliche Sicherheit als auch die ordnungsgemäße Leistung und Langlebigkeit der Geräte sicherzustellen. Die Nichtbeachtung dieser Anweisungen kann zum Versagen des Geräts und/oder zu schweren Verletzungen des Personals führen.

WICHTIG! BEI DIESEM INSTALLATIONS-, BETRIEBS- UND WARTUNGSHANDBUCH (IOM) HANDELT ES SICH UM EIN STANDARD-DOKUMENT. ES IST NICHT PROJEKT-SPEZIFISCH

Die englischsprachige Version ist die Standardversion des Installations-, Betriebs- und Wartungshandbuches.

Liste der Abkürzungen

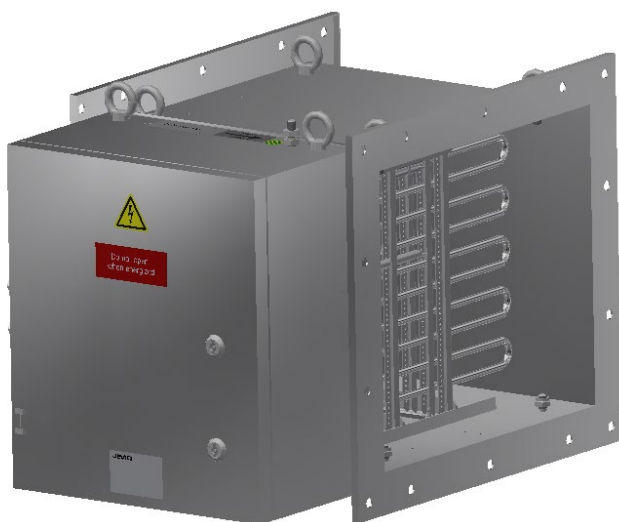
ACBR	Air Cooled Braking Resistor	Luftgekühlter Bremswiderstand
CoG	Centre of Gravity	Schwerpunkt
EF	Electrical Duct heater	Elektrisches Kanalheizregister
GA	General Arrangement (Drawing)	Gesamtzeichnung
HVAC	Heating, ventilation, Air Conditioning	Heizung, Lüftung und Klimatisierung
IOM	Installation, Operating and Maintenance Manual	Montage- Betriebs- und Wartungshandbuch
JB	Junction Box	Anschlusskasten
VLE	Fan heater with integrated controls for temperature control	Heizlüfter mit integrierter Steuerung für die Temperaturregelung
VLEx	Fan heater for hazardous areas	Explosionsgeschützter Heizlüfter
WCBR	Water Cooled Braking Resistor	Wassergekühlter Bremswiderstand
TSH	Temperature Switch High	Temperaturüberwachungsthermostat
TSHH	Temperature Switch High High	Temperaturbegrenzer

1.0 Einleitung

Das vorliegende Handbuch gilt für Heizlüfter im gefährdeten Bereich.

Der Zweck des vorliegenden Dokuments ist die Beschreibung allgemeiner Sicherheitsvorkehrungen, die sich nicht notwendigerweise auf ein bestimmtes Produkt oder Verfahren beziehen und die nicht notwendigerweise an anderer Stelle in der Dokumentation erscheinen.

Die in diesem Handbuch beschriebenen Vorsichtsmaßnahmen müssen in allen Phasen des Betriebs und der Wartung vollständig verstanden und angewendet werden.



2.0 Beschreibung des Produktes

Der Kanalluft heater dient zur Erwärmung von Luft

Es wird auf die allgemeine Zeichnung dieses Produktes verwiesen:

Zeichnungsnummer	: Siehe Übersichtszeichnung des Produktes
Stromversorgung	: Siehe Schaltplan
Spannung	: Siehe Schaltplan
Bezugsnummer	: Identisch mit Auftragsnummer und Artikelnummer

Der Kanalluft heater besteht aus einem Gehäuse (IP-Schutzart entsprechend Übersichtszeichnung und/oder Datenblatt), das folgendes enthält:

- zertifizierte elektrische Heizelemente (Ex e II), max. Oberflächenbelastung 1,3 W/cm²,
- eine Schutzeinrichtung mit manueller Rückstellung (TSHH) Ex de IIC Gb.
- Optional, eine Schutzeinrichtung mit automatischer Rückstellung (TSH) Ex de IIC Gb.
- Alternativ eine Schutzeinrichtung TSHH, mit Thermoelement-Messfühler Typ K, verbunden mit zertifiziertem Transmitter, Ex ia IIC T4...T6 Ga

Der Anwender ist dafür verantwortlich, dass der eigensichere Stromkreis über eine geeignete Barriere angeschlossen wird. Die Rückstellung erfolgt von Hand. Die Temperatursensoren sind an den Stellen mit der höchsten Temperatur des Heizregisters angebracht.

Wenn kein Luftstrom vorhanden ist, schaltet der TSHH die Heizung ab.

Optional können die unten aufgeführten zertifizierten Geräte in den Anschlusskasten eingebaut werden.

- Ein zertifizierter Ex ia IIC T4 Temperaturtransmitter.
- Eine zertifizierte Ex d IIC T5 Stillstandheizung.
- Ein zertifiziertes Ex de IIC T6 oder Ex d IIC T6 oder Ex e IIC T6 Steuergerät.

Geräte kennzeichnung:

ATEX: II 2G Ex e IIC T3 Gb
II 2G Ex e [ia] IIC T3 Gb

IECEX: Ex e IIC T3 Gb
Ex e [ia] IIC T3 Gb

Normen:

ATEX:

EN 60079-0
EN 60079-7
EN 60079-11
EN 60079-14

IECEX:

IEC 60079-0
IEC 60079-7
IEC 60079-11
IEC 60079-14

IECEx Gruppe und Kategorie:	Ex II 2 G
Zertifikatsnummer:	IECEx TUN 13.0036X
ATEX Gruppe und Kategorie:	Ex II 2 G
Zertifikatsnummer:	TÜV 13 ATEX 131672X

3.0 Verpackung

Die Verpackung entspricht den spezifischen Anforderungen der individuellen Bestellung oder des Vertrages sowie den Vorschriften des Bestimmungslandes.

3.1 Wahl der Verpackungsart

Die Wahl der Verpackungsart und der Bedarf an besonderen Schutzvorkehrungen hängen von den Eigenschaften des zu verpackenden Gerätes und des zu verpackenden Materials, ihren Handhabungsanforderungen und der gewählten Transportart ab. Die Verpackung bietet sowohl mechanischen Schutz als auch Umweltschutz.

3.2 Holzbehandlung

Jegliches Massivholz, das für die Verpackung (einschließlich Holzpaletten) verwendet wird, wird gemäß dem internationalen Standard ISPM 15 (IPPC), letzte Revision, behandelt (Wärmebehandlung oder Begasung).

Da diese Vorschriften nicht für alle Länder gleich sind, muss das Verfahren den Anforderungen des Endbestimmungslandes entsprechen.

3.3 Paletten

Das Gerät wird auf Paletten verpackt, die während des Transports und der Lagerung eine angemessene Lastunterstützung bieten. Die Paletten haben eine dynamische Belastbarkeit, die ausreicht, um die auf der Palette geladene Masse zu tragen. Wo dies möglich ist, muss die Oberseite der Palette flach sein.

Die Palette muss auf allen Seiten mit Stahl- oder Kunststoffbändern straff gespannt sein. Alle Geräte und Materialien werden ordnungsgemäß mit Bolzen, Klammern, Stützbalken usw. fixiert. Zerbrechliche, leicht zu beschädigende und lose Teile, die zum Gerät gehören, werden sicher und ordnungsgemäß in einer separaten Kiste verpackt.

3.4 Handhabung

Unter keinen Umständen darf das Gerät selbst als Plattform für den Zugang zu den darüber liegenden Installations- und Konstruktionsbereichen verwendet werden. Wenn ein solcher Zugang erforderlich ist, muss ein geeignetes Gerüst aufgestellt werden, das Gerät darf nicht als Stütze verwendet werden.

3.5 Schwerpunkt

Falls erforderlich, werden große und schwere Geräte mit Schwerpunkt (COG) gekennzeichnet.

3.6 Etikettierung und Markierung der Geräte / Identifizierung

Wenn keine spezifische Kennzeichnung erforderlich ist (siehe technische Spezifikationen im Auftrag) erfolgt die Kennzeichnung gemäß JEVI-Norm.

Auf Wunsch stimmt das Identifikationsetikett mit der endgültigen Packliste/Lieferschein überein.

3.7 Versandmarkierungen/ Etikettierung

Alle Packstücke werden entsprechend den angegebenen Daten auf Packliste/Lieferschein markiert oder etikettiert

4.0 Transport

Das Produkt wird nach Vereinbarung verpackt, mit Angabe des Schwerpunktes, falls vom Kunden gewünscht.

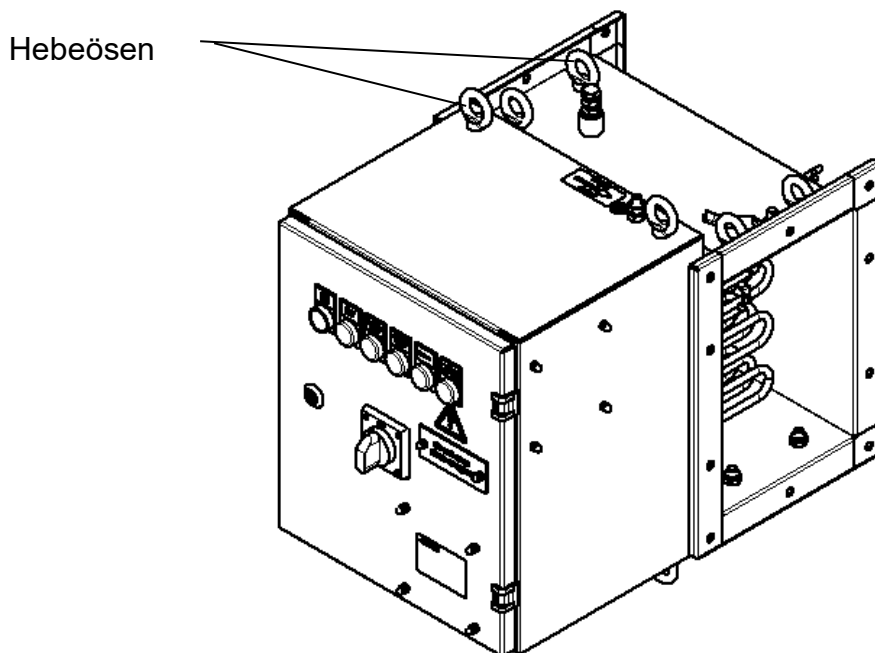
Das Produkt wird auf Paletten verpackt. Die Verpackung kann mit dem Gabelstapler oder mit Hilfe eines Krans leicht bewegt werden. Handhabung durch autorisiertes Personal.

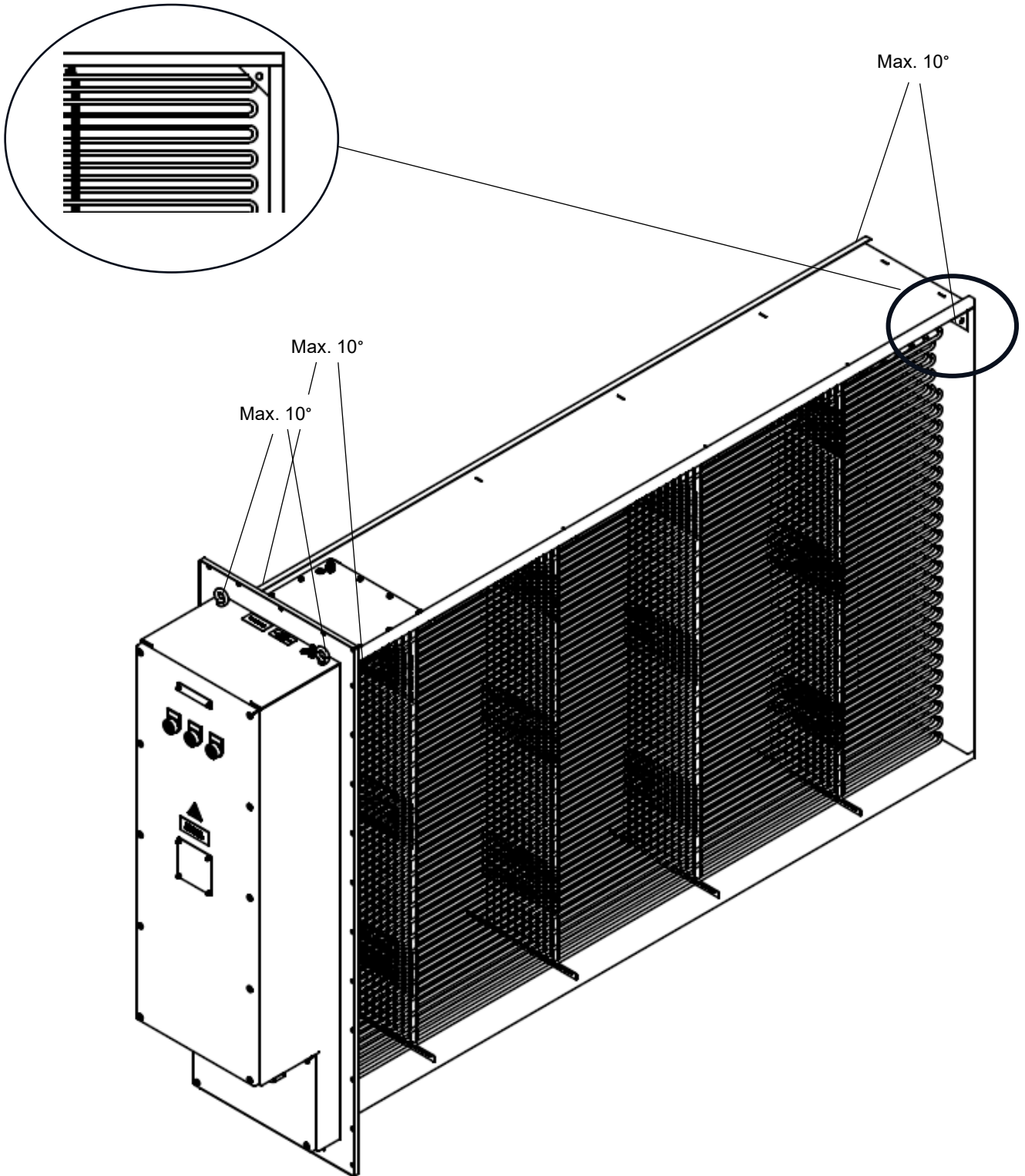
- Angaben zu Hebeösen in der Übersichtszeichnung
- Angaben zum Gewicht in der Übersichtszeichnung oder auf dem Typenschild
- Schwerpunkt – falls vorhanden, siehe Übersichtszeichnung

ACHTUNG	Die Heizelemente dürfen <u>NICHT</u> zum Anheben verwendet werden, da dies die Heizelemente beschädigt.
	Zum Anheben des Geräts immer Hebeösen und Hebegurte verwenden.

4.1 HVAC

Alle Kanalluftrohre und Einsätze mit einem Gewicht von mehr als 25 kg werden mit Hebevorrichtungen geliefert.





5.0 Lagerung und Konservierung

Zweck dieses Kapitels ist es, zu spezifizieren, wie ein Produkt vom Tag des Versands bis zur Installation und Inbetriebnahme des Gerätes zu handhaben und zu konservieren ist.

Die folgenden Bedingungen müssen für die Installations-/Bauzeit eingehalten werden.

ACHTUNG	Während der Lagerung muss das Gerät vor der Installation trocken mit einer relativen Luftfeuchtigkeit <60 %, Temperatur >15°C gelagert werden.
ACHTUNG	Ersetzen Sie den Trockenmittelbeutel in Anschlussdosen und Gehäusen (falls vorhanden) alle 6 Monate. Führen Sie als Dokumentation ein Protokoll über den Austausch.
ACHTUNG	Falls vorhanden, muss die Stillstandheizung stets eingeschaltet und angeschlossen sein.

5.1 Konservierung während des Transports und vor der Installation

Die Verpackung bietet sowohl mechanischen Schutz als auch Umweltschutz. Wenn das Gerät für den Betrieb im Freien bestimmt ist, wird es, um jedes Risiko von schädlichem Metallstaub während der Lagerung zu vermeiden, mit einer umhüllenden Plastikfolie geschützt.

Alle Öffnungen, wie z.B. Kabeleinführungsöffnungen, sind ausreichend abgedichtet.

Die Pakete dürfen während des Transports nicht geöffnet oder in ihrer Unversehrtheit beeinträchtigt werden.

Die Verpackung darf erst geöffnet werden, wenn das Gerät aus dem Lager entnommen und an den vorgesehenen Installationsort oder zum Anschluss der Stillstandheizung transportiert worden ist. Die Konservierungsmaßnahmen für die Lagerung sind unwirksam, sobald die Verpackung beschädigt ist.

Die Packstücke müssen beim Wareneingang im Lagerhaus und während der Lagerzeit regelmäßig in monatlichen Abständen auf äußere Beschädigungen geprüft werden. Alle sichtbaren Schäden, die sich auf den Zustand des Inhalts oder die Unversehrtheit der Konservierung auswirken können, sind unverzüglich zu dokumentieren und zu melden. In einem solchen Fall muss der Zulieferer sofort zur Beratung kontaktiert werden.

5.2 Konservierung während der Installations-/ Bauphase

Das Produkt darf nur dann ausgepackt werden, wenn das Gerät installiert werden soll oder um die Stillstandheizung anzuschließen. Es wird empfohlen, die Unversehrtheit der Verpackung während des Transports vom Lagerhaus zum Installationsort beizubehalten. Überprüfen Sie das Gerät in jeder Verpackung auf Schäden und Zustand, sobald die Verpackung geöffnet wird. Schäden sofort melden und dokumentieren. In einem solchen Fall muss der Zulieferer sofort zur Beratung kontaktiert werden.

Die Installation und Handhabung des Gerätes nach dem Auspacken müssen in Übereinstimmung mit den relevanten Elementen der Dokumentation für das gelieferte Gerät erfolgen.

Schäden, die durch schlechte Verarbeitung oder Nichtbeachtung der Installationsanweisungen verursacht werden, sind nicht durch die Gerätegarantie abgedeckt.

Wenn das Gerät in einem Bereich installiert wird, in dem laufende Bauarbeiten stattfinden, die Luftverschmutzung oder andere ungünstige Bedingungen verursachen, muss dieses entsprechend geschützt werden. Keinesfalls darf das Gerät in der Nähe von Tätigkeiten wie Schleifen, Schweißen, Streichen, Feuerfestmachen, Sprühen usw. aufgestellt werden, ohne dass die notwendigen Vorkehrungen zu seinem Schutz getroffen werden.

Nach dem Anschließen der Kabel muss ein frischer Trockenmittelbeutel in das Gehäuse gelegt werden. Der Trockenmittelbeutel muss alle 6 Monate oder bis zur Inbetriebnahme ausgetauscht werden.

Alle Öffnungen, wie z.B. Kabeleinführungsöffnungen, müssen ausreichend abgedichtet werden, bis die Anschlusskabel oder -rohre installiert sind.

Die Geräte müssen während der Installation stets in einem sauberen Zustand gehalten werden. Der bei der Kabelinstallation anfallende Schmutz muss umgehend entfernt werden. Es ist sicherzustellen, dass keine leitenden Materialreste in den Anschlussgehäusen zurückbleiben. Es ist auch äußerst wichtig, dass kein Schmutz in den Tank gelangt, da dies zu einer Verstopfung der Rücklauf- oder Überlaufleitungen führen kann.

Unter keinen Umständen darf das Gerät selbst als Plattform für den Zugang zu den darüber liegenden Installations- und Konstruktionsbereichen verwendet werden. Wenn ein solcher Zugang erforderlich ist, muss ein geeignetes Gerüst aufgestellt werden, das Gerät darf nicht als Stütze verwendet werden.

Während der Installation muss das Gerät in regelmäßigen wöchentlichen Abständen gründlich auf äußere Beschädigungen, Sauberkeit und inneren Zustand überprüft werden. Bei sichtbaren Schäden oder falls ungünstige Bedingungen auftreten, muss dies sofort berichtet und dokumentiert werden. In einem solchen Fall muss der Zulieferer sofort zur Beratung kontaktiert werden.

Nach Abschluss der Installationsarbeiten muss der Zustand des Gerätes überprüft werden. Bei sichtbaren Schäden sind diese sofort zu melden und zu dokumentieren. In einem solchen Fall muss der Zulieferer sofort zur Beratung kontaktiert werden.

5.3 Vorschlag für Spezifikation und Dokumentation der Konservierung:

KONSERVIERUNGSSPEZIFIKATION UND -DOKUMENTATION								
Bericht Nr.:		Etikettennr.:	Beschreibung:				Seite 1 von 1	
Aufgabe Nr.:	Intervalle (Monate)	Beschreibung der Konservierungsmaßnahme	Empfohlene Konservierung	Erstkonservierung	Datum/Unterschr. konserviert (2)	Datum/Unterschr. konserviert (3)	Datum/Unterschr. konserviert (4)	Datum/Unterschr. konserviert (5)
1	1	Prüfung der Schutzstruktur auf Unversehrtheit						
2	6	Trockenmittelbeutel in den Anschlusskästen ersetzt						
3	1	Lagerbedingungen geprüft. Relative Feuchtigkeit < = 60 %, Temperatur > = 15°C						
4	12	Bei Lagerung über einem Jahr ab Verpackungsdatum muss der Zulieferer um Rat bezüglich der Erneuerung des Trockenmittelbeutels kontaktiert werden.						
5	12	Lackierung prüfen.						
6	12	Gerät auf sichtbare Schäden prüfen.						
7	12	Sicherstellen, dass der allgemeine Zustand des Gerätes zufriedenstellend ist						
8	12	Alle Öffnungen, wie z.B. Kabeleinführungen sind angemessen abgedichtet. Ebenso die Anschlusskästen						
9	12	Sämtliche losen Teile/abgenommen Teile sind konserviert, gelagert und markiert						
10	6	Prüfung auf Eindringen von Wasser, Kondensation oder Feuchtigkeit falls zutreffend.						
11	6	Die Antikondensationsheizung im Gerät muss jederzeit eingeschaltet und angeschlossen sein.						

Anmerkungen:		
Durchgeführt von: Datum/Unterschrift:	Abgenommen von: Datum/Unterschrift:	

Anmerkung: *Diese Maßnahmen werden als normale Wartungsarbeiten angesehen und werden auf Kosten des Besitzers durchgeführt.*

* Je nach Umgebungsbedingungen kann die Prüfungshäufigkeit abweichen.

6.0 Montageanleitung

6.1 Allgemeines

Der Anwender muss sicherstellen, dass alle Mitarbeiter in den ordnungsgemäßen Installations- und Arbeitsverfahren umfassend geschult und beaufsichtigt werden, um ihre Sicherheit zu gewährleisten. Die Anlage muss in einem sicheren Zustand gehalten werden. Stellen Sie sicher, dass die Anlage von technisch qualifiziertem Personal ordnungsgemäß an einem geeigneten Ort installiert wird.

Die Installation muss den Anforderungen nach EN/IEC 60079-0, EN/IEC 60079-7, EN/IEC 60079-14 oder gleichwertigen gültigen Normen entsprechen.

6.2 Besondere Bedingungen für den sicheren Einsatz

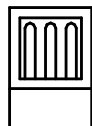
- Es dürfen nur geeignete zertifizierte Kabelverschraubungen verwendet werden.
- Heizelemente können bis zu $1,3 \text{ W/cm}^2$ ausgelegt werden.
- Die Sicherheitseinrichtung TSHH muss dauerhaft auf maximal 130°C eingestellt sein, um der Temperaturklasse T3 zu entsprechen.
- Heizelemente aus Titan dürfen nur verwendet werden, wenn sie gegen Stöße geschützt sind.
- Der Umgebungstemperaturbereich ist -25°C bis $+75^\circ\text{C}$.

Der Endnutzer muss sicherstellen, dass die geforderten Sicherheitsparameter für einen eigensicheren Stromkreis eingehalten werden.

6.3 Montage des Kanallufters

Vergewissern Sie sich vor dem Auspacken der Produkte, dass alle Gegenstände vorhanden und alle Kisten und/ oder Pakete in gutem Zustand und unbeschädigt sind. Etwaige Schäden müssen dem Bauleiter und anschließend JEVI A/S gemeldet werden. Überprüfen Sie nach dem Entfernen des Verpackungsmaterials alle Gegenstände auf Schäden. Falls Schäden vorhanden sind, melden Sie diese dem Werks-/Bauleiter und anschließend JEVI A/S.


Für den Einbau müssen Montage- und Dichtungsmaterialien verwendet werden, die für das zu beheizende Medium und die auftretenden Temperaturen geeignet sind. Genaue Daten und Angaben zur Einbaulage entnehmen Sie bitte der Übersichtszeichnung.



1. Öffnen Sie den Anschlusskasten.

2. Schließen Sie die Stromkabel an die Klemmen oder das Sammelschienensystem an, wie auf dem Schaltplan angegeben, und verbinden Sie die Erdungsvorrichtungen auf der Montageplatte.

3. Schließen Sie den Schutzleiter an die externe Erdungsklemme an.
4. Befolgen Sie die Anweisungen des Lieferanten der Kabelverschraubungen, falls vorhanden und/oder anwendbar.
5. Schließen Sie die Abdeckung.
6. Stellen Sie sicher, daß der Luftstrom geradlinig ist.

	WARNUNG	Öffnen Sie den Anschlusskasten nicht, wenn dieser unter Spannung steht.
ACHTUNG		<ul style="list-style-type: none"> • Wenn das Gerät nicht in Betrieb ist, muss es trocken gelagert werden. Relative Luftfeuchtigkeit <60 % und Temperatur >15°C. • Schließen Sie ggf. die Stillstandheizung an und schalten Sie sie ein. • Es ist ratsam, im ausgebauten Zustand einen Trockenmittelbeutel in den Anschlusskasten zu legen.

6.4 Einstellung des Temperaturbegrenzers (falls vorhanden) mit Auto-Reset

Der TSH ist auf 80 % des Maximums eingestellt.

Wenn eine Anpassung erforderlich ist, belasten Sie den Kanallufferhitzer mit maximaler Leistung und dem niedrigsten Luftstrom laut Spezifikation.

1. Stellen Sie den TSH auf maximale Temperatur ein.
2. Warten Sie, bis der Luftstrom und die Temperatur konstant sind.
3. Reduzieren Sie die Auslösetemperatur am TSH mittels Einstellknopf schrittweise um je ca. 10 °C; warten Sie ab, ob der TSH nach 10 Minuten anspricht; sonst reduzieren Sie um weitere 10 °C und fahren Sie mit diesem Verfahren fort, bis der TSH den Kanallufferhitzer abschaltet.
4. Nun stellen Sie den TSH ca. 10°C über der Auslösetemperatur ein.
5. Betreiben Sie den Erhitzer mit voller Leistung und ohne Luftdurchsatz. Der TSH muss auslösen, bevor die maximal zulässige Temperatur erreicht ist.
6. Der mechanische TSHH ist nicht einstellbar.

6.5 Einstellung TSHH Temperaturschalters (Thermoelement/ PT100)

Wenn am Heizkörper ein Transmitter montiert ist, wird die Einstellung des TSHH-Temperaturschalters (Thermoelement / RTD) durch JEVI vorgenommen.

Die maximale Temperatur muss entsprechend dem Schaltplan und dem Montage- Betriebs- und Wartungshandbuch eingestellt sein.

Dieser TSHH-Temperaturschalter (Thermoelement / RTD) muss manuelles rückstellbar sein.

7.0 Inbetriebnahme

Trockenmittelbeutel vor der Inbetriebnahme aus dem Anschlusskasten entfernen.

Vor der ersten Inbetriebnahme des Kanallufferhitzers muss folgendes sichergestellt sein:

1. Der Kanallufferhitzer wurde entsprechend der Übersichtszeichnung ordnungsgemäß installiert und, falls erforderlich, wurde eine Luft-dichtigkeitsprüfung durchgeführt.
2. Der Schutzleiter (PE) ist angeschlossen und ggf. die äußere Verbindung zwischen Gehäuse und Erde hergestellt, z. B. zur Vermeidung elektrostatischer Entladungen.
3. Der Erdungsanschluss ist hergestellt und ordnungsgemäß gesichert.
4. Die elektrischen Anschlüsse wurden nach den einschlägigen Vorschriften und Schaltplänen ausgeführt.
5. Der Kanallufferhitzer ist ordnungsgemäß installiert, und alle Muttern und Schrauben sind ordnungsgemäß angezogen.
6. Elektrische Verbindungen zwischen Schalttafel und Kanallufferhitzer sind korrekt installiert, z. B. Stromkabel, Temperaturgeber.

7.1 Vor Einschalten des Kanallufferhitzers

1. Die Versorgungsspannung prüfen.
Überprüfen Sie die Steuerspannung.
Die Spannungsangaben finden Sie in den Schaltplänen des Geräts.
2. Prüfen Sie, ob das Überwachungssystem aktiviert wurde, z.B. "Überhitzungsschutz".
(PT100 oder Thermoelement-Sensor, der direkt am Heizelement befestigt ist).

7.2 Abschalten des Kanallufferhitzers

Schalten Sie den Kanallufferhitzer aus, bevor Sie den Durchfluss unterbrechen.

8.0 Betriebsanweisungen

Vor der ersten Inbetriebnahme des Kanallufferhitzer ist folgendes zu prüfen:

1. Der Kanallufferhitzer ist ordnungsgemäß installiert, und erforderlichenfalls ist eine Dichtigkeitsprüfung durchzuführen.
2. Der elektrische Anschluss wurde entsprechend den geltenden Vorschriften und Bestimmungen durchgeführt.
3. Der Schutzleiter (PE) ist angeschlossen und ggf. die äußere Erdverbindung zwischen Gehäuse und Erde hergestellt, z. B. zur Vermeidung elektrostatischer Entladung.
4. Überwachungssysteme sind aktiviert, z. B. "Durchflussüberwachung" und "Überhitzungsschutz".
5. Das zu erwärmende Medium entspricht der Auslegung des Kanallufferhitzer.

An den Kabeleinführungen sind Temperaturen von mehr als 70°C nicht zulässig. Die Mindesttemperatur für alle eingehenden Kabel beträgt 70°C.

WICHTIG	<p>Vor dem Einschalten des Kanallufferhitzers ist zu prüfen, ob der Nenndurchfluss des Prozesses gegeben ist. Die verwendeten Konstruktionsmaterialien sind entsprechend den spezifizierten Betriebsbedingungen ausgewählt.</p> <p>Wird der Kanallufferhitzer mit anderen Medien oder Temperaturen als den angegebenen betrieben, erlischt die Garantie sofort!</p>
----------------	---

9.0 Wartung



WARNUNG

Der Umgang mit dem Erhitzer muss den Anforderungen der DS/EN 50110-1:2013 (elektrische Sicherheit) entsprechen.

Das Wartungsintervall von einem Jahr gilt nur, wenn der Kanalluft erhitzer in einer trockenen und sauberen Umgebung installiert ist. Bei Installation in einer Umgebung, die diese Anforderungen nicht erfüllt, müssen die Wartungsintervalle möglicherweise verkürzt werden.

Die für die Instandhaltung verantwortliche Person muss dafür sorgen, dass die Mitarbeiter in den richtigen Arbeitsverfahren geschult und beaufsichtigt werden, damit ihre Sicherheit gewährleistet ist.

1. Überprüfen Sie die Keramikisolatoren an den Elementen auf Beschädigungen.
2. Prüfen Sie den Isolationswiderstand der Heizelemente. Schließen Sie den Isolationswiderstandsmesser an einen Erdungsbolzen und eine der Phasen U1, V1 oder W1 an. Liegt der gemessene Wert unter $2\text{ M}\Omega$, muss jedes Heizelement einzeln geprüft werden. Der Mindestwert beträgt $2\text{ M}\Omega$ bei 1000.

*Die Dokumentation besteht aus der ATEX-Bescheinigung mit dem IOM Handbuch. Der Betreiber muss JEVI kontaktieren, bevor Änderungen oder Reparaturen am Gerät durchgeführt werden. Falls dies nicht befolgt wird, verliert die Bescheinigung ihre Gültigkeit.

* Text gilt auch für Abschnitt 6.4 und 6.5

9.1 Wartungs- und Serviceplan

- Prüfen oder Reinigen
- Ersatzteile

System	Prüfung	Periodische Wartungsintervalle			
		Wöchentlich (erste 4 Wochen)	Alle 6 Monate	Alle 12 Monate	Alle 36 Monate
Komplett	Sichtprüfung außen	○			
	Alle Schrauben und Muttern nachziehen	○			
	Während der Lagerung den Trockenmittelbeutel wechseln		●		
	Von innen und außen mit Druckluft reinigen		○		
Elektrisches System	Messung der Widerstandswerte entsprechend Prüfbericht (max Abweichung 10%)			○	
	Alle Klemmenanschlüsse prüfen			○	
	Spannung des Kühlgebläsefilters messen			○	
	Messung des Isolationswiderstandes <3 MΩ bei 1000 V DC			○	

Hinweis: Diese Verfahren gelten als normale Wartung und werden auf Kosten des Eigentümers durchgeführt.

* Je nach Umgebung kann die Häufigkeit der Inspektionen variieren.

10.0 Trouble shooting

Trennen Sie vor jeder Inspektion, Wartung oder Reinigung alle Stromquellen von der Stromversorgung. Es besteht die Gefahr eines elektrischen Schlags, solange das Gerät angeschlossen ist.

Bei Wartungsarbeiten, die eine Reparatur oder den Austausch von Bauteilen erfordern, wenden Sie sich bitte umgehend an das Werk, um weitere Anweisungen zu erhalten. Im Folgenden sind nur die Fehler aufgeführt, die in den Bereich der normalen Wartung fallen. Wenn ein Problem nicht aufgeführt ist oder durch die aufgeführten Abhilfemaßnahmen nicht behoben werden kann, wenden Sie sich umgehend an JEVİ A/S.

Problem	Mögliche Ursache	Mögliche Korrektur
Ausfall des Heizkörpers/ Widerstandes	Stromschiene lose Widerstandselement ausgebrannt	Ausgefallene Widerstandsreihe festziehen. Element demontieren und Ersatz einsetzen
Temperaturschalter hat ausgelöst	Heizkörper/ Widerstand hat Über-temperatur	Vergewissern Sie sich, dass Lufteinlass und -auslass frei von Fremdkörpern oder Verstopfungen sind. Kühlgebläsebetrieb prüfen
Differenzdruck schalter hat ausgelöst	Lockere Verbindungen. Verstopfung im Einlass	Alle Verbindungen prüfen. Entfernen und reinigen.

* Siehe Text auf Seite 35

11.0 Entsorgungsanweisungen

Geräte, die elektronische Komponenten enthalten, dürfen nicht über den Haushaltsmüll entsorgt werden. Sie müssen entsprechend der Rechtslage separat mit anderem elektronischem Müll gesammelt werden.

JEVI A/S
Godthåbsvej 7
DK-7100 Vejle
T: +45 75 83 02 11
jevi@jevi.dk
www.jevi.com

